

Installation Instructions

****All connections should be soldered and insulated with electrical tape or heat-shrink tubing.****

1. Find your secondary O2 sensor(s).
2. Establish which O2 sensor wires are Signal, +12 and Ground: either use the table at the bottom of this page for color codes of most factory oxygen sensors or use a factory service manual for reference. Chilton's or Haynes manuals can be found at your local library and auto parts store.
3. Verify +12V wire with a voltmeter by probing the wire while car is running.
4. Verify the Ground wire by measuring the resistance or continuity between the wire and chassis. The resistance should be very low. - **OR-** Connect the sims black wire directly to a good chassis ground.

5. Turn off the car and disconnect the Negative battery terminal.

6. Connect (splice) the O2 Simulator Black wire to O2 sensor Ground.

7. Connect (splice) O2 Simulator Red wire to O2 sensor +12V.

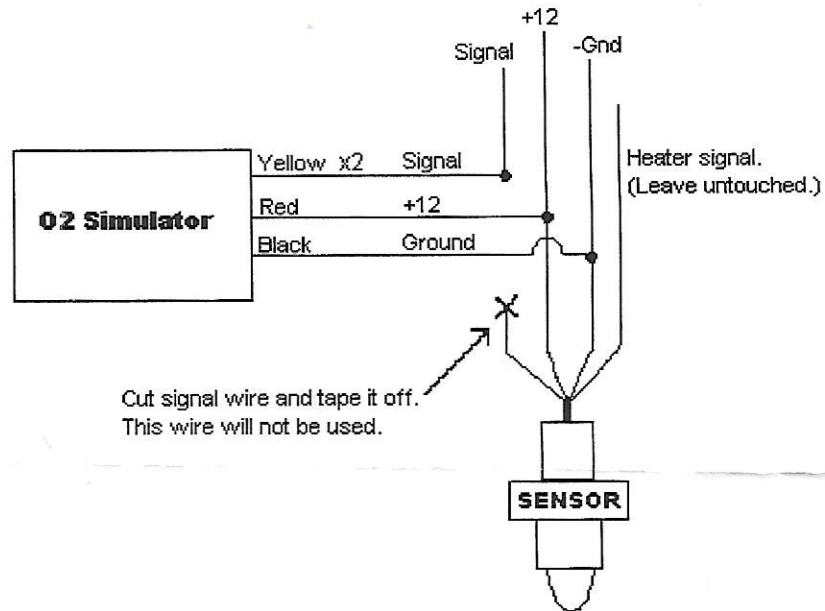
8. Cut the sensor's signal wire completely. ****The side that leads to the O2 sensor should be taped off. It will not be used.****

NOTE: If you have single exhaust and/or only one secondary O2 sensor, you will only use one of the Yellow wires coming from the O2 Simulator. Cut and insulate the remaining Yellow wire.

9. Connect the O2 Simulator's Yellow wire to the other side of the signal wire that leads to the ECU. If you have two secondary O2 sensors perform steps 8 and 9 with both sensors

10. Reconnect the Negative battery terminal.

11. With the car running, the O2 Simulator LED should be slowly flashing.



O2 Sensor Wire Reference Table

Find which type of O2 sensor you have by matching the wires that come directly out of your O2 sensor to one of the rows below. Connect the wire in each 'Sensor' column to the corresponding wire in each 'Simulator' column for your type of sensor. There will always be two 'Heater' wires of the same color: see note below for instructions.

Your Sensor Type	SIGNAL		HEATER WIRES		GROUND	
	Sensor	Connect to Simulator's	Sensor	Connect to Simulator's	Sensor	Connect to Simulator's
Type 1	Black	Yellow	2 White	RED (see note below)	Grey	Black
Type 2	Purple		2 Dark Brown		Light Brown	
Type 3	Blue		2 Black		White	
Type 4	White		2 Black		Green	
Type 5	Black		2 White		Grey	
Type 6	Black		2 White		Red	

Note: Check both wires with a voltmeter while the car is running. Connect the one that shows 12-14 volts to the sims RED wire.